

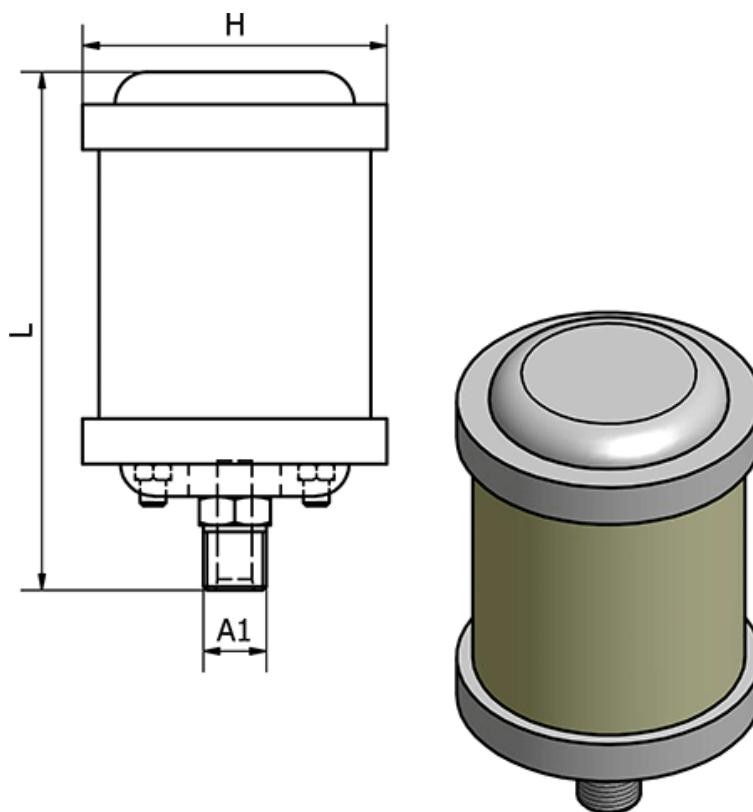
# Data Sheet



Article number: 586LX5

Description: Silencers LX-05, - G 1/2"  
Silencer With Hi-Flow

## Measures



Flow l/min at 5 bar = 6650

H = 80

L = 148

Thread A1 = G 1/2"